



From the library of Chris Zynda

*Chris Zynda is President of ASA and Safety Committee Chair. He is a member of ACI Committees 506, Shotcreting, and C660, Shotcrete Nozzleman Certification; an ASTM International member; and a certified ACI Examiner.*

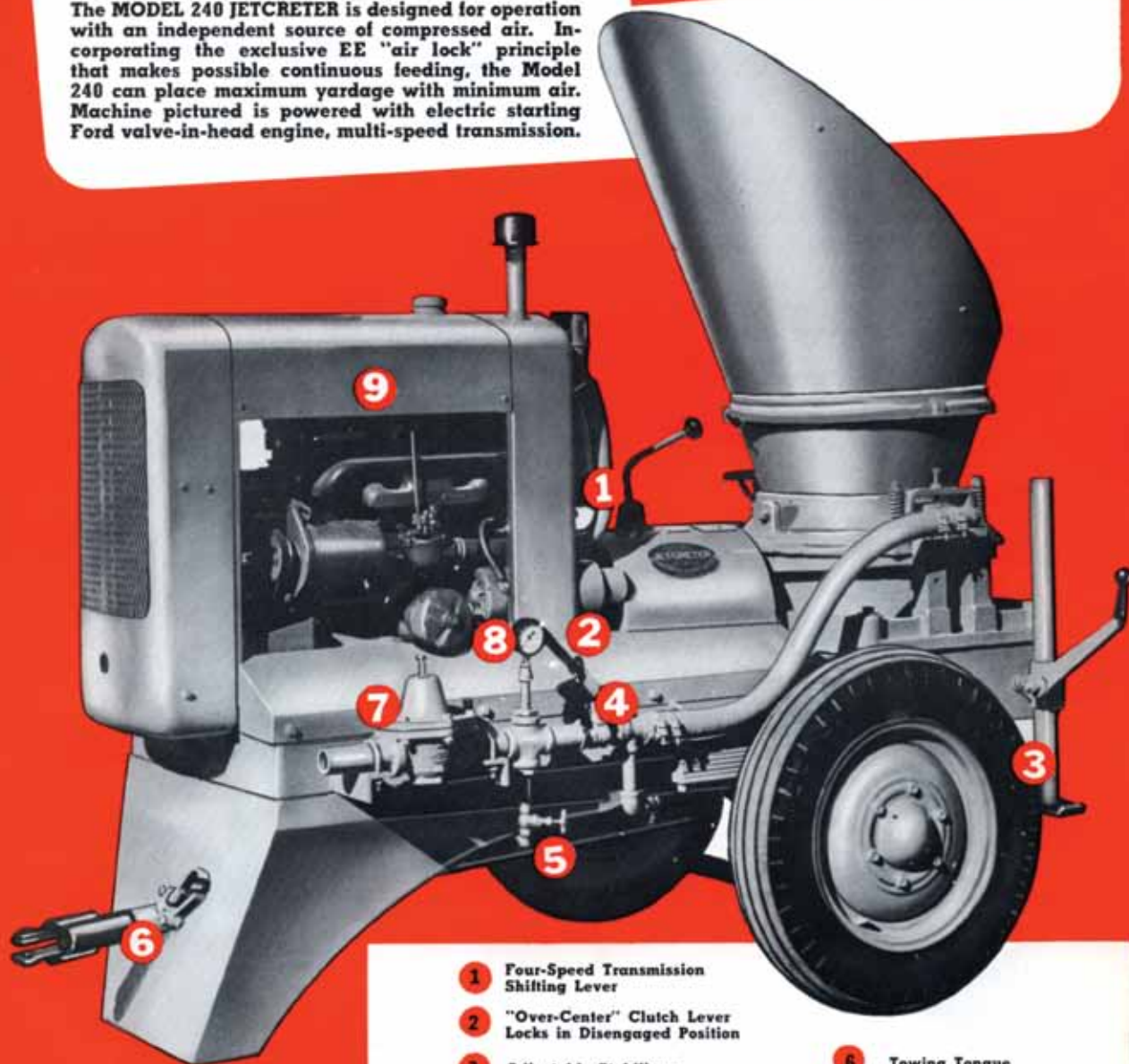


# JETCRETER

## MODEL 240

**GREATER CAPACITY  
THROUGH CONTINUOUS FEEDING**

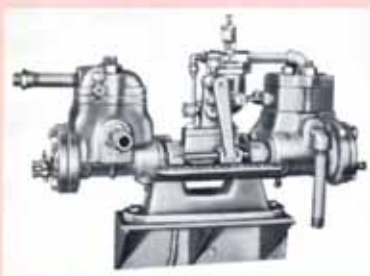
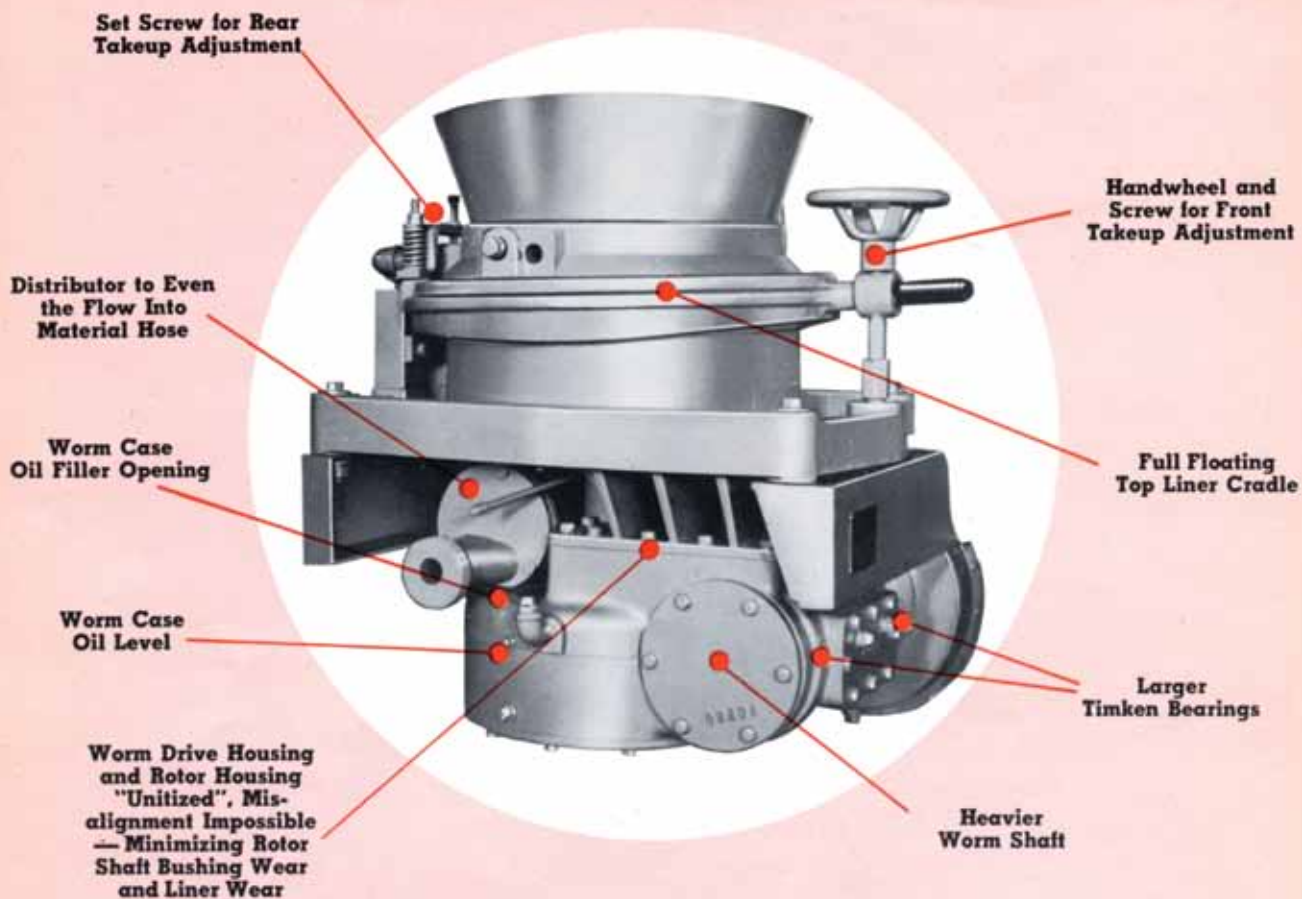
The MODEL 240 JETCRETER is designed for operation with an independent source of compressed air. Incorporating the exclusive EE "air lock" principle that makes possible continuous feeding, the Model 240 can place maximum yardage with minimum air. Machine pictured is powered with electric starting Ford valve-in-head engine, multi-speed transmission.



- |   |   |   |  |
|---|---|---|--|
| 1 | Four-Speed Transmission Shifting Lever                  | 6 | Towing Tongue                                |
| 2 | "Over-Center" Clutch Lever Locks in Disengaged Position | 7 | Full Range Dead End Pressure Reduction Valve |
| 3 | Adjustable Stabilizer                                   | 8 | Sensitive Type Air Gauge                     |
| 4 | Quick Action "On-Off" Air Valve                         | 9 | Engine for Driving Gun                       |
| 5 | Water Pump Throttle Valve                               |   |  |

**ENGINEERED EQUIPMENT, INC., WATERLOO, IOWA**

## QUALITY CONSTRUCTED TO WITHSTAND RUGGED USE



### DOUBLE-ACTION DUPLEX WATER PUMP PROVIDES PROPER WATER PRESSURES AT THE NOZZLE AUTOMATICALLY

Operates from same air supply as the gun so that proper ratio of water pressure to nozzle air pressure is constantly maintained regardless of increased or decreased nozzle air pressures due to variable job conditions.



### SIMPLE GOOSENECK DISCHARGE SPEEDS OPERATION WHEN SHOOTING AT CONSTANT HIGH SPEED

When operating at high speed constantly, rotor revolves fast enough to meter material evenly into air stream and the simpler gooseneck discharge connection is recommended. Has no moving parts and permits freer movement of materials.



### HYDRO-MIX HEAD

Provides better hydration at the nozzle — shoots better concrete — provides greater flexibility — reduces rebound — makes possible operation in inaccessible places.

## OPTIONAL AIR-COOLED ENGINE



### With or Without Multi-Speed Transmission

With 4-speed transmission, this machine is rated the same as the Ford powered unit — up to 5 cubic yards of bulk material per hour as standard. Advantages are its lower price and freedom from freezing worries in colder climates.

With straight transmission, is still lower in price. Use is limited to mass shooting although engine throttle will give some speed variation.

### ... with ELECTRIC MOTOR

For Mines and Other Confined Areas  
Where Gas and Diesel Are Not Suitable



With explosion-proof electric motor for power, JETCRETERS can be safely used deep underground. Accepted and extensively used in mines and industrial plants — for refractories as well as insulation material or concrete.

### AVAILABLE WITH FACTORY MODIFICATION

Any Model 240 alternate can be factory modified to increase output 40%. Rated at 6½ cubic yards per hour with 400 feet of air, you can really "bail it out" with a modified gun. This is shooting at the rate of 35 to 40 bags of 4 to 1 mix per hour and makes the JETCRETER the biggest production gun on the market.

# Shotcrete Classics

## A THOUSAND AND ONE PROFITABLE USES FOR JETCRETE



Coating Steel Pipe on Big Thompson Hydro Project

Refinery Retort Lining Operation

Ohio River Lock repair by United States Engineers (Note Hydro-Mix Nozzle)

Construction of paddock swimming pool in the Midwest

Underpass Rehabilitation for Pennsylvania Railroad, Pittsburgh

## SPECIFICATIONS

Alternates	Dimensions			Approx. Weight Pounds	Tire Size	Min. Air Required Cu. Ft.	Max. Cap. Per Hr.		Material Hose Size I. D.	Min. Length Material Hose
	Height	Width	Length				Bulk Material Cu. Yds.	Sacks Cement		
Ford w/Transmission	76"	55"	87"	3100	6.00x16	240	5	25-30	1 1/2"	150
Wisconsin w/Transmission	76"	55"	71"	2740	6.00x16	240	5	25-30	1 1/2"	150
Wisconsin w/Single Range	76"	55"	70"	2710	6.00x16	240	5	25-30	1 1/2"	150
Electric Motor w/Transmission	76"	55"	93"	3000	6.00x16	240	5	25-30	1 1/2"	150
Modified	79"	55"	As Above	Add 100 lbs.	6.00x16	400	6 1/2	35-40	2"	150